



THE DOWNLIGHT FACTORY

AUSTRIAN LIGHTING SOLUTIONS

LUMINAIRE DATA-SHEET

Model

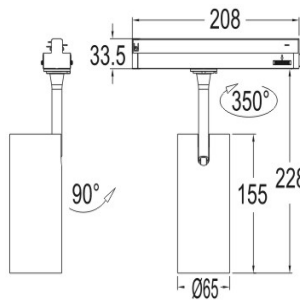
Type

PEGASUS

Tracklight Series



LUMINAIRE IMAGE, DRAWING



LUMINAIRE GENERAL SPECIFICATION

| | |
|--|--|
| LAMP TYPE | LED COB |
| CRI | >90 |
| MacAdam STEP | ≤3 |
| INPUT VOLTAGE AC 100-277V / 50-60 Hz. | |
| MATERIAL | Aluminum Body PMMA Lens White Finish |
| IP RATING | IP 20 |
| DRIVER TYPE | Integrated |
| CUT-OFF ANGLE | 20° |
| ADJUSTABILITY | 90° tiltable 350° rotatable |
| ADAPTER | 3 PHASE |
| OPERATING TEMP | -20°C ... +50°C |
| LIFESPAN | >50,000 working hours |

LUMINAIRE DETAILED SPECIFICATION & ARTICLE NUMBER

| Model | Power [W] | CCT [Kelvin] | Optics [°] | Control |
|---------|-----------|--------------|------------|---------------|
| Pegasus | 24 | 2... 2700 | 15 | ND... Non Dim |
| | | 3... 3000 | 24 | DA... Dali |
| | | 4... 4000 | 38 | |

LUMINAIRE SPECIFIC PARAMETERS

| Luminous Flux (at 4000K) | Dimension |
|-----------------------------|--------------|
| 24W - 1,900lm | Ø65, L 155mm |

ARTICLE NUMBER

| | | | | |
|---------|---|----|--|--|
| Pegasus | - | 24 | | |
|---------|---|----|--|--|

Model Code

Power

CCT

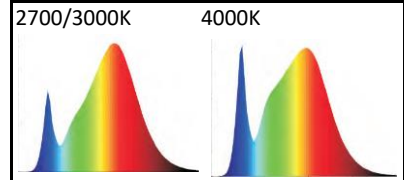
Optics

Control Code

Example:

Pegasus-24424ND

24W, 4000K, 24°, Non Dim



FLICKER FREE



Please contact us for more information as well as for IES files.