

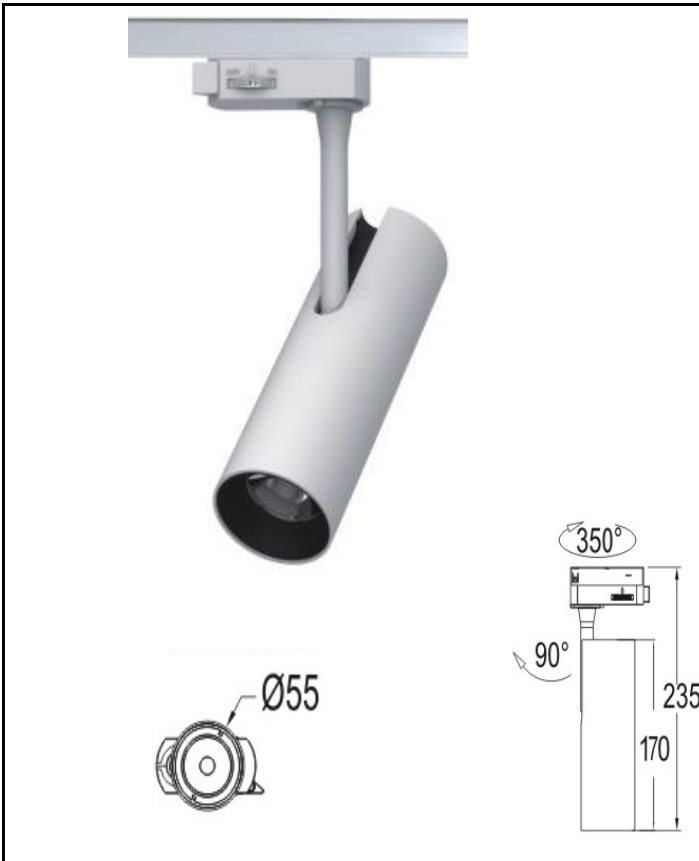


**LUMINAIRE DATA-SHEET**



**Model** IKARUS PLUS  
**Type** Tracklight Series

**LUMINAIRE IMAGE, DRAWING**



**LUMINAIRE GENERAL SPECIFICATION**

<b>LAMP TYPE</b>	LED COB
<b>CRI</b>	>90
<b>MacAdam STEP</b>	≤3
<b>INPUT VOLTAGE</b>	AC 100-277V / 50-60 Hz.
<b>MATERIAL</b>	Aluminum Body PMMA Lens White Finish
<b>IP RATING</b>	IP 20
<b>DRIVER TYPE</b>	Integrated
<b>CUT-OFF ANGLE</b>	20°
<b>ADJUSTABILITY</b>	90° tiltable 350° rotatable
<b>ADAPTER</b>	3 PHASE
<b>OPERATING TEMP</b>	-20°C ... +50°C
<b>LIFESPAN</b>	>50,000 working hours

**LUMINAIRE DETAILED SPECIFICATION & ARTICLE NUMBER**

Model	Power [W]	CCT [Kelvin]	Optics [°]	Control
Ikarus Plus	20	2... 2700	15	ND... Non Dim
		3... 3000	24	DA... Dali
		4... 4000	38	

**LUMINAIRE SPECIFIC PARAMETERS**

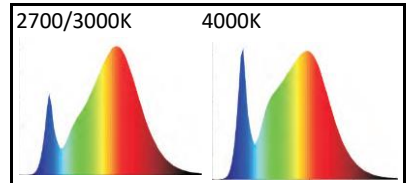
Luminous Flux (at 4000K)	Dimension
20W - 1,650lm	Ø 55, L 170mm

**ARTICLE NUMBER**

IkarusPlus	-	20		
------------	---	----	--	--

Model Code      Power      CCT      Optics      Control Code

**Example:** IkarusPlus-20424ND      20W, 4000K, 24°, Non Dim



**FLICKER FREE**



Please contact us for more information as well as for IES files.