

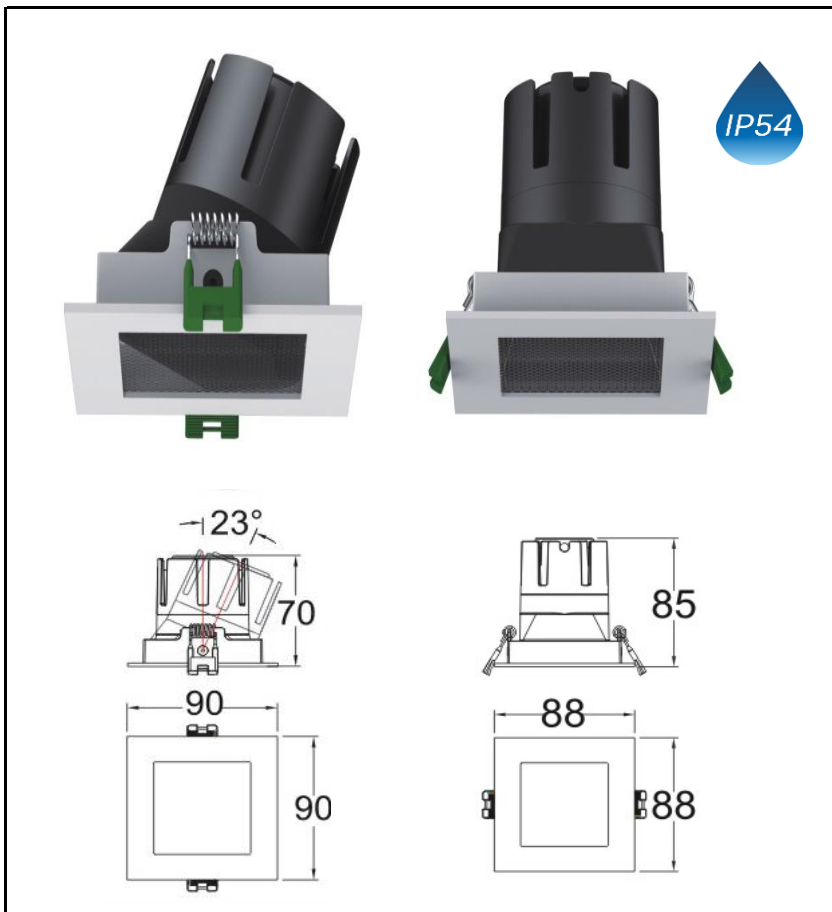


LUMINAIRE DATA-SHEET



Model APOLLO Square IP
Type Recessed Spotlight Pinhole Series

LUMINAIRE IMAGE, DRAWING



LUMINAIRE GENERAL SPECIFICATION

LAMP TYPE	LED COB
CRI	>90
MacAdam STEP	≤3
INPUT VOLTAGE	AC 220-240V / 50-60 Hz.
MATERIAL	Aluminum Housing White finish
CUT-OFF ANGLE	40°
DIAMETER	90x90mm
CUT-OUT	75x75mm
DEPTH	D 70mm
IP RATING	IP 54
DRIVER TYPE	Remote in False Ceiling
ADJUSTABILITY (in case of adj. version)	23° tiltable 355° rotatable
LUMINOUS FLUX (at 3000K & 24°)	6W 360 lm 9W 540 lm
OPERATING TEMP	-20°C ... +50°C
LIFESPAN	>50,000 working hours

LUMINAIRE DETAILED SPECIFICATION & ARTICLE NUMBER

Model	Trimless / With Trim	Adjustability	Power [W]	CCT [Kelvin]	Optics [°]	Control
Apollo Square IP	1... with Trim	A... Adjustable	6	2... 2700	15	ND... Non Dim
		F... Fix	9	3... 3000	24	DA... Dali
				4... 4000	38	10... 0-10V

ARTICLE NUMBER

ApolloSquareIP	-	1				
Model Code	Trim Code	Adjust Code	Power	CCT	Optics	Control Code

Example: ApolloSquareIP-1F9324ND With Trim, Fix, 9W, 3000K, 24°, Non Dim

Other versions on request. Please contact us for more information as well as for IES files.