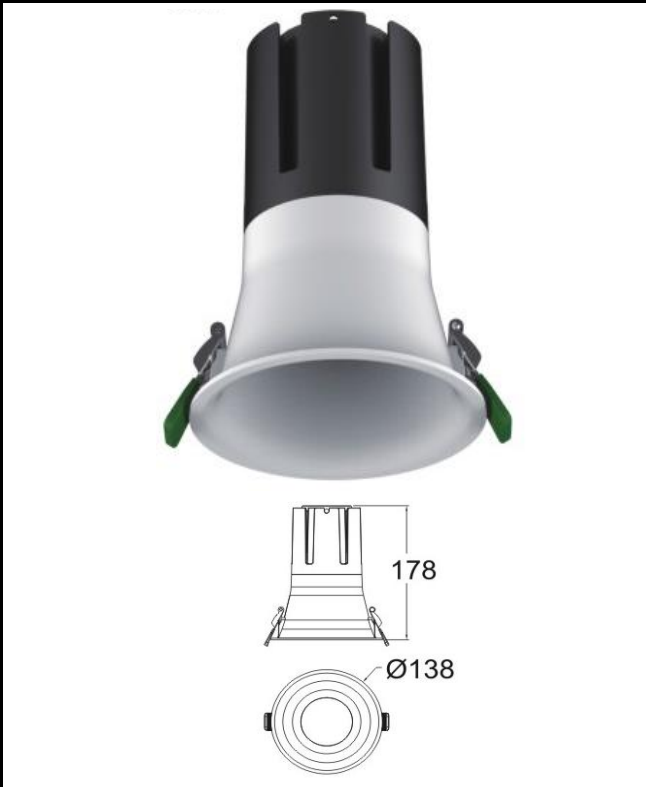




**LUMINAIRE IMAGE, DRAWING**

**LUMINAIRE GENERAL SPECIFICATION**



<b>LAMP TYPE</b>	LED COB
<b>CRI</b>	>90
<b>MacAdam STEP</b>	≤3
<b>INPUT VOLTAGE</b>	AC 100-240V / 50-60 Hz.
<b>MATERIAL</b>	Aluminum Body Small Trim White Finish
<b>IP RATING</b>	IP 20
<b>DRIVER TYPE</b>	Remote in False Ceiling
<b>CUT-OFF ANGLE</b>	40°
<b>CUT-OUT</b>	Ø 125mm
<b>OPERATING TEMP</b>	-20°C ... +50°C
<b>LIFESPAN</b>	>50,000 working hours

**LUMINAIRE DETAILED SPECIFICATION & ARTICLE NUMBER**

Model	Power [W]	CCT [Kelvin]	Optics [°]	Control
Adonis L	33	2... 2700	15	ND... Non Dim
		3... 3000	24	DA... Dali
		4... 4000	38	10... 0-10V

**LUMINAIRE SPECIFIC PARAMETERS**

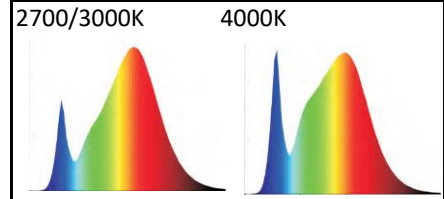
Luminous Flux <i>(at 4000K)</i>	Dimension
33W - 2475lm	Ø138, D 178mm

**ARTICLE NUMBER**

AdonisL	-	33			
---------	---	----	--	--	--

Model Code      Power      CCT      Optics      Control Code

**Example:**      **AdonisL-3335ND**      33W, 3000K, 55°, Non Dim



**FLICKER FREE**     

Please contact us for more information as well as for IES files.